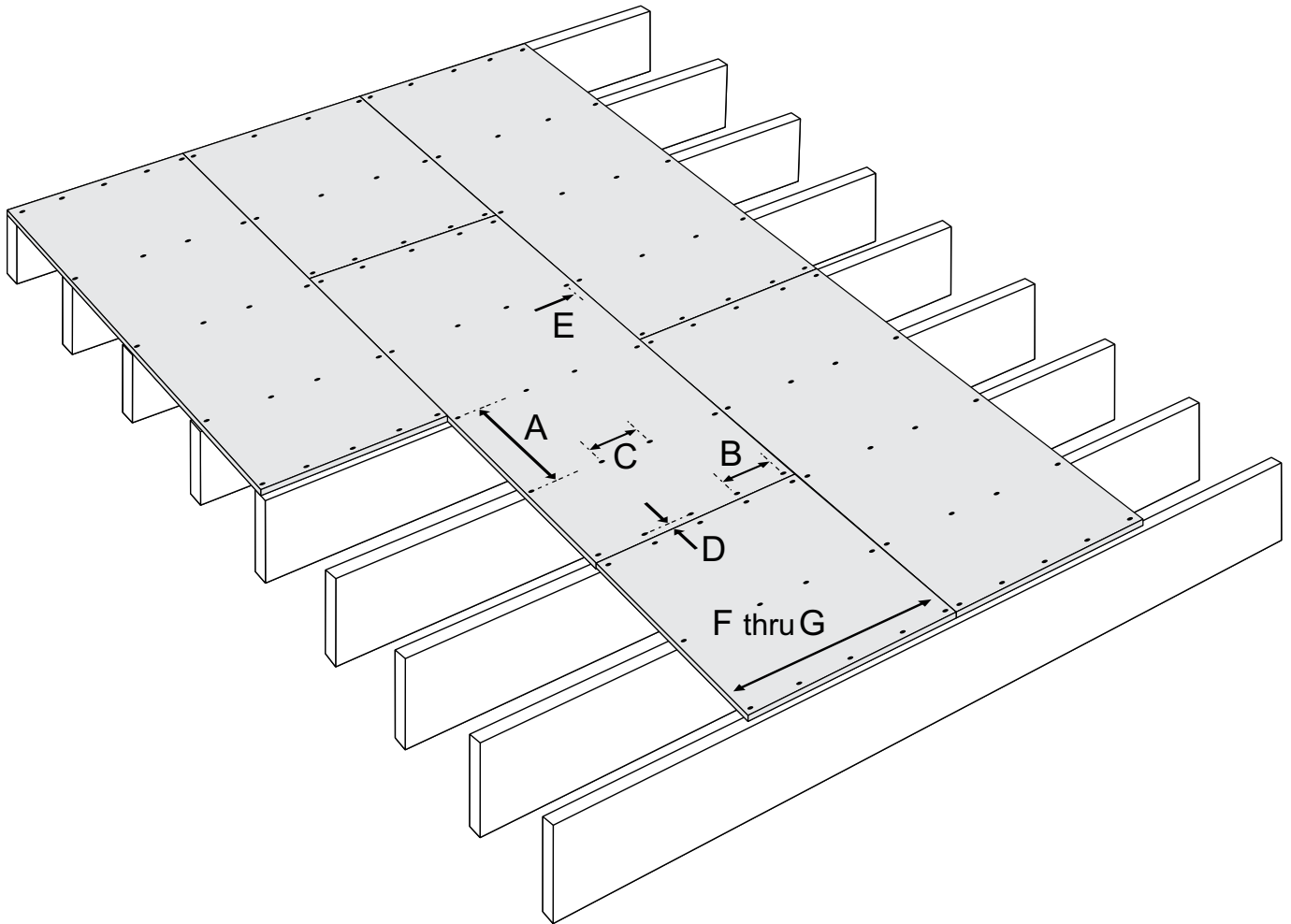


OMNIROC® FLOOR INSTALLATION DETAIL



- A = 16" or 24" (max) to match Joist Spacing as specified by engineer
- B = Will vary as needed for Diaphragm Requirements, or Board Thickness
- C = Will vary as needed for Diaphragm Requirements, or Board Thickness
- D = Min 5/8", set back from the edge of the sheet
- E = 1-5/8" set back
- F to G = Tongue & Grooved or Square Edge to be Bonded

**NOTE: Adhesive is to be used in the Joints of the Omniroc, to bond Omniroc to Omniroc ONLY! Never adhere Omniroc to Steel or Wood unless the application has been reviewed and approved by both the project engineer and the Omniroc Technical Staff .*